

# E3 Flanged Trims

1.0

## VISUAL COMFORT & Co.

ARCHITECTURAL COLLECTION

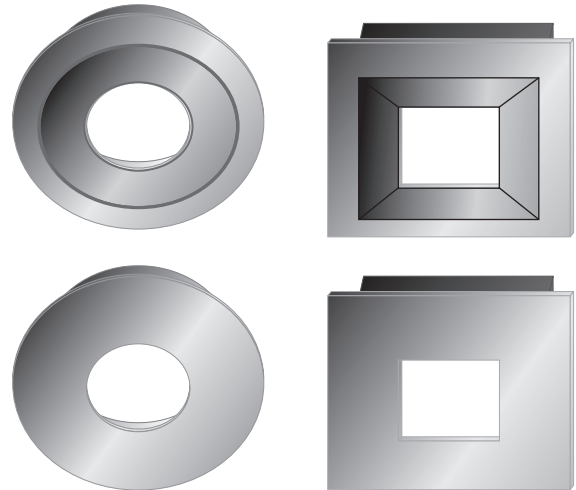
GENERAL PRODUCT INFORMATION:



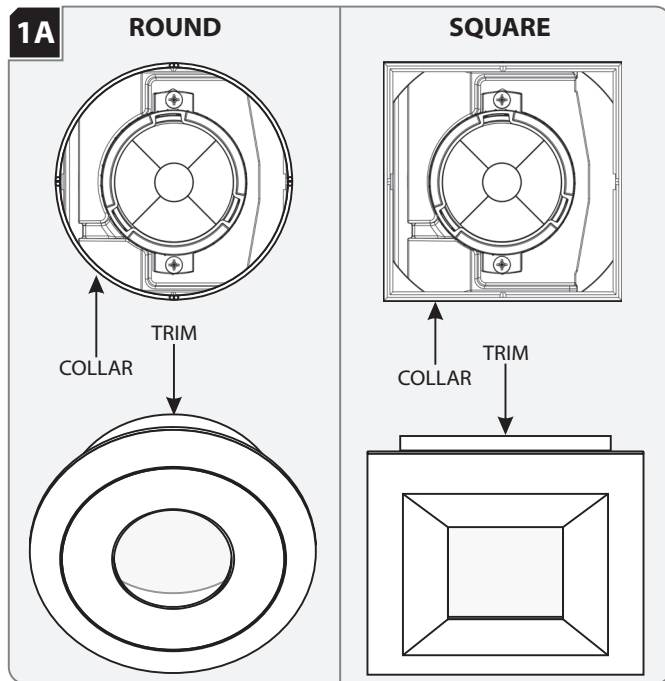
This product is suitable for indoor locations.

This instruction shows a typical installation.

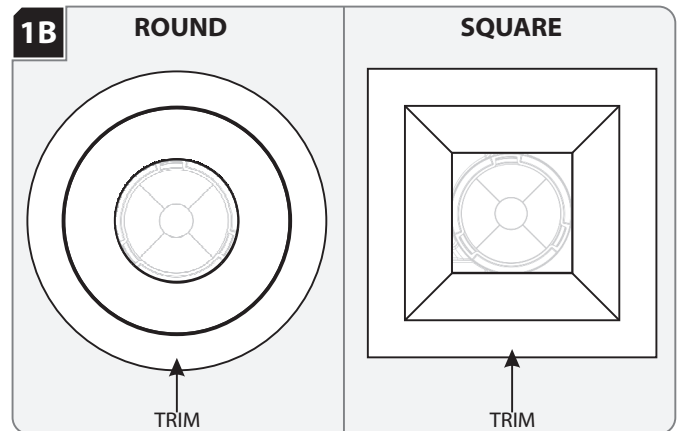
**SAVE THESE INSTRUCTIONS!**



### Install the Trim



**1** Align the trim with the inner edge of the collar.



**2** Push the trim into the collar until it snaps into the collar walls.